

ILLUSTRATED PARTS LIST

HOW TO ORDER REPLACEMENT PARTS

Please refer to the parts list on this page.

To make sure you obtain the correct replacement parts for your gas grill, the following information is required to assure getting the correct part.

1. **Gas grill model number (see data sticker on grill) and type of gas hook up.**
2. **Reference number of replacement part needed.**
3. **Description of replacement part needed**
4. **Quantity of parts needed.**

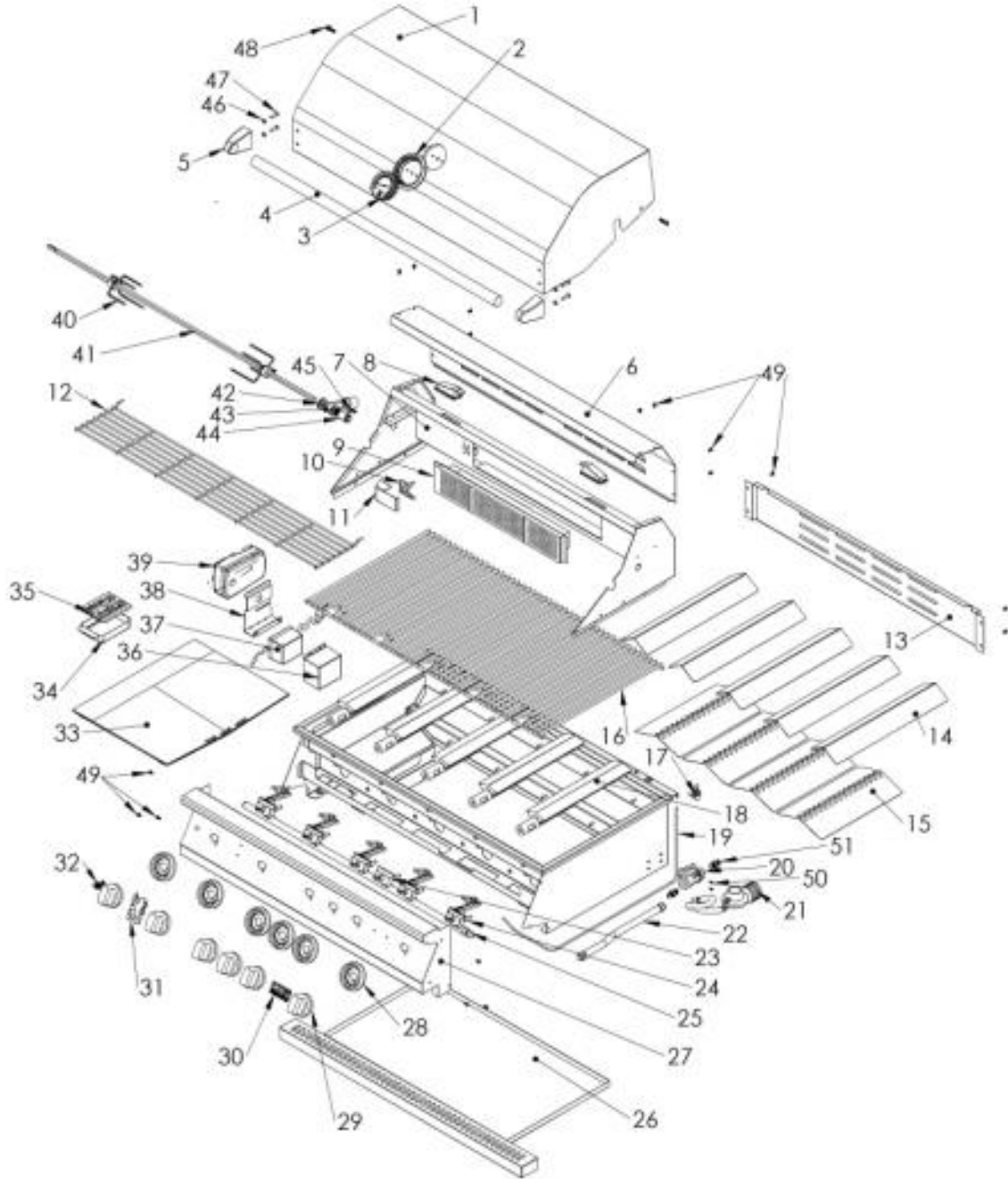
IMPORTANT: Use only factory authorized parts. The use of any part that is not factory authorized can be dangerous. This will also void your warranty.

IMPORTANT: Keep this assembly and operating instruction manual for referral and for replacement parts ordering.

CAUTION: Gas valves are preset at the factory. If you wish to convert at some later date, be sure to contact your gas supplier or grill, dealer before making the conversion.

CAUTION: Different gas valve orifices must be installed and valve adjusted when converting from one type of gas to another. You will also need a data plate indicating what type of gas the grill uses.

MODEL NO: 9000LP
5 Burner Stainless Steel, Rotisserie, Lights, Built-In, L.P. (Propane) Gas
MODEL NO: 9000NG
5 Burner Stainless Steel, Rotisserie, Lights, Built-In, Natural Gas



PARTS LIST

Lion L90000 Grill PARTS LIST

| REF# | Parts# | DESCRIPTION | Quantity |
|------|--------|----------------------------|----------|
| 1 | | LID FRONT | 1 |
| 2 | | THERMOSAT BEZEL | 1 |
| 3 | | THERMOSAT | 1 |
| 4 | | LID HANDLE | 1 |
| 5 | | HANDLE END CAP | 2 |
| 6 | | LID REAR | 1 |
| 7 | | LID REAR ASSEMBLY | 1 |
| 8 | | LIGHT | 2 |
| 9 | | INFRARED ROTISSERIE BURNER | 1 |
| 10 | | LIGHTING SPARK | 1 |
| 11 | | COLLECTOR BOX | 1 |
| 12 | | WARMING RACK | 1 |
| 13 | | BOWL BLACK PANEL | 1 |
| 14 | | FLAME TAMPER | 5 |
| 15 | | HRAT SHIELD | 4 |
| 16 | | COOKING GRID | 5 |
| 17 | | NOZZLE BACK BURNER(LP/NG) | 1 |
| 18 | | CAST STAINLESS BURNER | 5 |
| 19 | | STAINLESS FLEX TUBE OF IN | 1 |
| 20 | | NG REGULATOR | 1 |
| 21 | | LP REGULATOR | 1 |
| 22 | | STAINLESS FLEX TUBE | 1 |
| 23 | | INFRARED BURNER VALVE ASSE | 1 |
| 24 | | MANIFOLD | 1 |
| 25 | | GAS VALVE ASSEMBLY | 5 |
| 26 | | GREASE TRAY | 1 |
| 27 | | CONTROL PANEL ASSEMBLY | 1 |
| 28 | | KNOB BEZEL | 6 |
| 29 | | KNOB | 6 |
| 30 | | LOGO | 1 |
| 31 | | LION LOGO | 1 |
| 32 | | LIGHT SWITCH | 1 |
| 33 | | GRIDDLE PLATE | 1 |
| 34 | | SMOKER BOX | 1 |
| 35 | | SMOKER LID | 1 |
| 36 | | BOX OF TRANSFORMER | 1 |
| 37 | | TRANSFORMER | 1 |
| 38 | | MOTOR BRACKET | 1 |
| 39 | | ROTISSERIE MOTOR | 1 |
| 40 | | FORK ROTISSERIE | 2 |
| 41 | | ROTISSERIE KIT | 1 |
| 42 | | LOCK RING | 2 |
| 43 | | COLLAR | 1 |
| 44 | | BUSH | 1 |
| 45 | | SCREW | 3 |
| 46 | | WASHER | 4 |
| 47 | | SCREW(M6*25L) | 4 |
| 48 | | SCREW(M8*25L) | 2 |
| 49 | | SCREW(#10-24*3/8L) | 27 |
| 50 | | SCREW(M4*10L) | 2 |
| 51 | | CONNECTOR | 2 |